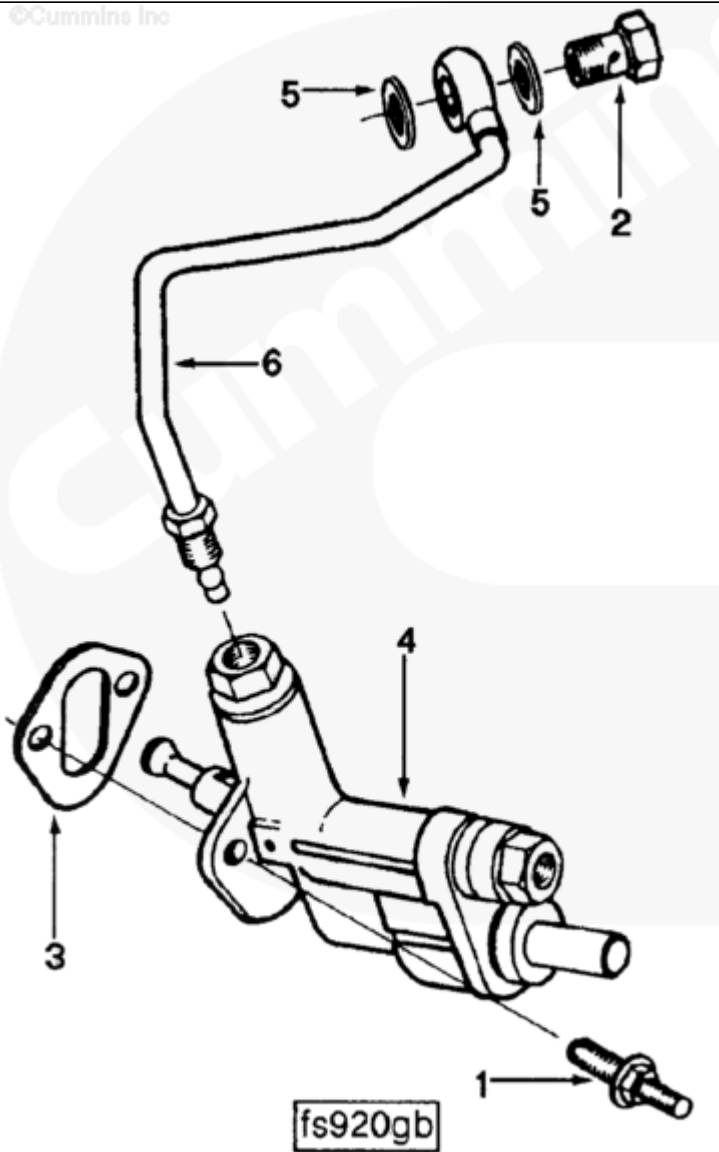




# Parts Catalog - Option Detail

Electronic Parts Catalog - Option Detail				
Option	Group	Graphic	Film Card	Date
FS9089-03	05.19	fs920gb	Z	03-FEB-97
<b>Engines</b>	6C8.3, C GAS PLUS CM556, G8.3, G8.3 CM558, GTA8.3 CM558, ISC CM2150, ISC CM554, ISC CM850, ISC8.3 CM2250, ISC8.3 G CM2180 C101, ISL CM2150, ISL CM554, ISL CM850, ISL G CM2180, ISL8.9 CM2150 L110, ISL8.9 CM2880 L112, ISL9 CM2150 SN, ISL9 CM2250, ISL9 CM2350 L101, ISL9 CM2350 L111, ISLE4 CM850, L GAS PLUS CM556, L8.9, L8.9 L121, L8.9G CMOH2.0 L125B, L9 CM2350 L116B, L9 CM2350 L119B, L9 CM2350 L120C, L9 CM2350 L123B, L9.3 L105, L9.5 L117, L9N CM2380 L124B, QSC8.3 CM2250, QSC8.3 CM2880 C102, QSC8.3 CM554, QSC8.3 CM850(CM2850), QSL9 CM2250, QSL9 CM2250 L115, QSL9 CM2350 L102, QSL9 CM2350 L107, QSL9 CM2350 L118, QSL9 CM2350 L122, QSL9 CM554, QSL9 CM850(CM2850), QSL9 G CM558, QSL9 M CM2250 L106, QSL9.3 CM2880 L113			



Cart	Ref No	Part Number	Part Description	Required	Remarks
<a href="#">View My Cart</a>					
		<a href="#">FS9089-03</a>	Fuel System Accessories		
					Pump Style: Piston
					Pump Operation: Mechanical
					Pump Supplier: Cummins
					Pump Measured Flow
					(Liters/Min): 183-229
					Pump Measured Flow RPM: 1250
					Fuel Inlet Size: 1/2-14 NPTF
					Filter Location: Under head
					cylinder #5
					Unique Characteristics:
					Includes M6 mounting studs
					Restricted Fuel Pump:.
					Bosch P300FS0908900
					Bosch P7100
					Bosch MW
					Nippondenso EP9
					Cylinders: 6
					Engine Family: C Series.
<input type="checkbox"/>	1	<a href="#">3909310</a>	Studded Hexagon Cap Screw	2	M8 x 1.25 x M6 x 1.00
<input type="checkbox"/>	2	<a href="#">3916361</a>	Banjo Connector Screw	1	M12 x 1.50 x 24
<input type="checkbox"/>	3	<a href="#">3931348</a>	Cover Plate Gasket	1	
<input type="checkbox"/>	4	<a href="#">3932224</a>	Fuel Transfer Pump	1	
	5	<a href="#">3918191</a>	Sealing Washer	2	Purchase 3935171.
<input type="checkbox"/>	6	<a href="#">3918539</a>	Fuel Supply Tube	1	